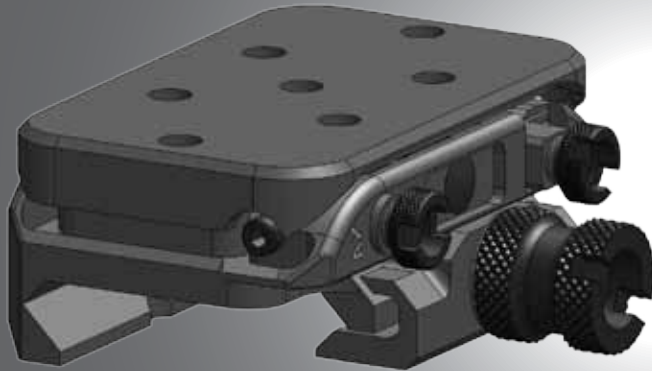


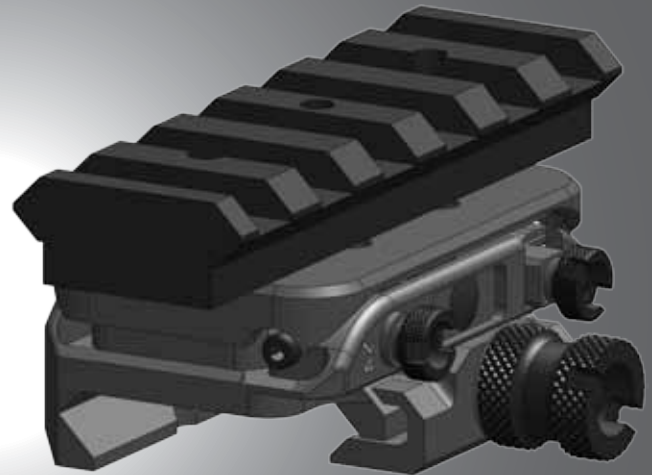
ALFALIGHT™

MAC

Miniature Az-el Clamp




Model # AXA-001-C02




Model # AXA-001-C01


Positive click-action adjustment for secure boresighting

Accessory lasers 

Wide angular adjustment range

Combat optics 

Secure and repeatable Picatinny mount

Camera mounting 

Compact and lightweight

Ruggedized to meet MIL-STD-810G



Reliability.

Performance.

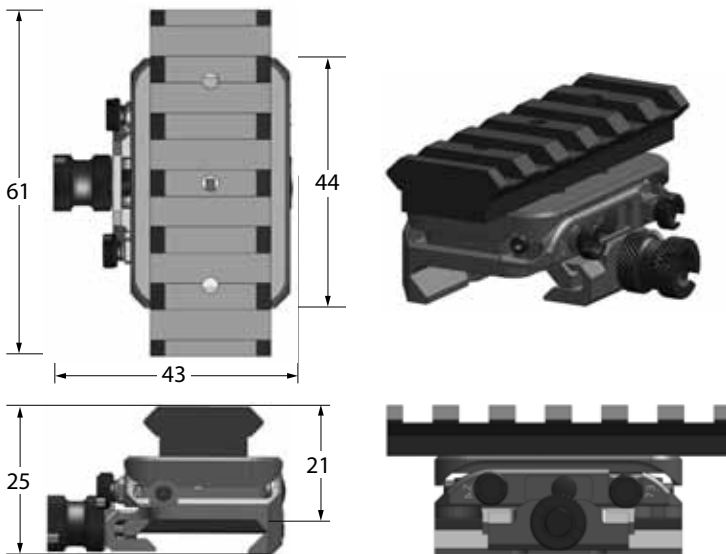
Innovation.

Miniature Az-el Clamp

Alfalight AXA-001-C0x

Key Features

- Precise: 0.5 milliradian resolution adjusters
- Reliable: positive click-action maintains boresight
- Lightweight: only 2.8 ounces
- Compact: 21 mm rail offset
- Rugged: meets MIL-810G for gunfire vibration, transport
- Proven: tested and used by US military
- Multiple mounting options available
- Compatible with longarm and crew-served weapons



Platform configuration options

- Picatinny rail (P/N AXA-001-C01)
- Bare platform (4 × 4-40 screws) (P/N AXA-001-C02)
- Quick-release rail clamp (P/N AXA-001-C03)

Adjustment

Azimuth adjustment range	±2.0 degrees
Elevation adjustment range	±1.5 degrees
Az/EI resolution	0.5 mil (milliradian)
Adjustment method	Thumbscrew knobs on side
Positive click	Yes

Attachment

Load capacity	16 oz (450 g)
Device attachment	Picatinny rail, 61 mm long (2.4 in) -C01 4 × 4-40 screws -C02 Quick-release Picatinny clamp -C03
Rail attachment	Thumbscrew-actuated, integrated Picatinny (MIL-STD-1913) rail clamp

Mechanical

Size	44 × 41 × 17 mm (1.75 × 1.62 × 0.69 in) for -C02 model
Mass	3.2 oz (104 g) with rail 2.8 oz (85 g) without rail
Rail-to-rail offset	21 mm (for -C01 model)
Material	Stainless steel with black oxide finish

Environmental

Storage	-55 to + 85 C
Ruggedness	<ul style="list-style-type: none"> ▪ Meets MIL-STD-810G standards ▪ Immersion, salt spray ▪ Shock: mechanical, thermal, drop ▪ Vibration: transport & gunfire
Options	Various top-plate attachment options



v 1.0