

# ALFALIGHT™

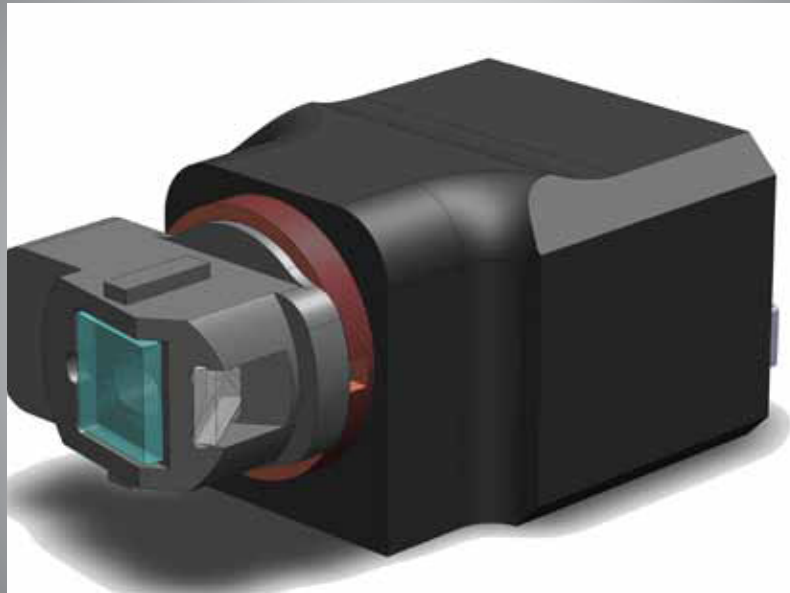
# GLP-1H

Green Laser Module

**PRELIMINARY**

**Reliable power from  
-20 to +50°C**

**330 mW green  
laser light**



**Compact package: 25 grams**

**Efficient: 3.5 watt consumption**

**Integrated optical feedback**

**Always instant-on**

**Consistent operation over wide  
temperature**

*Illumination* ⊕

*Signalling* ⊕

*Visible designators* ⊕

*Ocular disruptors* ⊕

*Medical / Forensics* ⊕

*Battery-operated devices* ⊕



**Reliability.**

**Performance.**

**Innovation.**

# GLP-1H

## Green Laser Module

**PRELIMINARY**

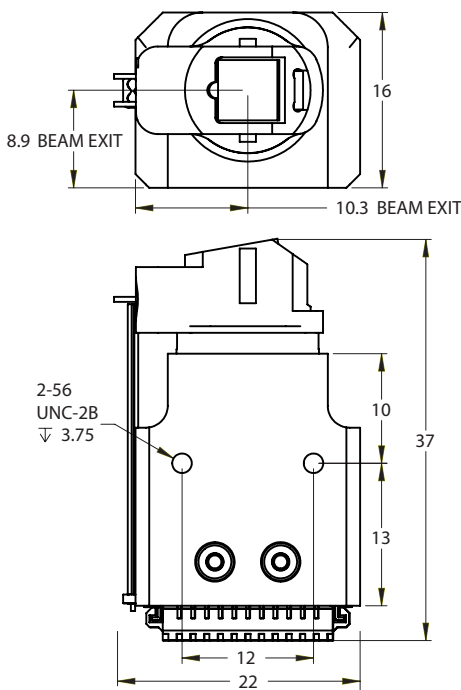
# PRODUCT SPECIFICATION

## Alfalight XGC-532C-02-350

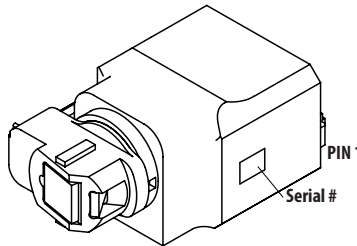
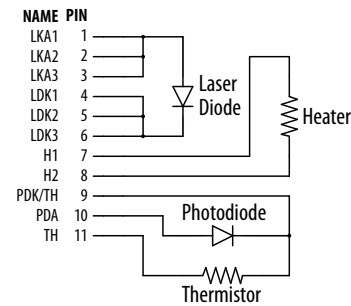
### Key Features

- 330 mW of optical power
- Operating range of -20°C to +50°C
- Compact
- Rugged

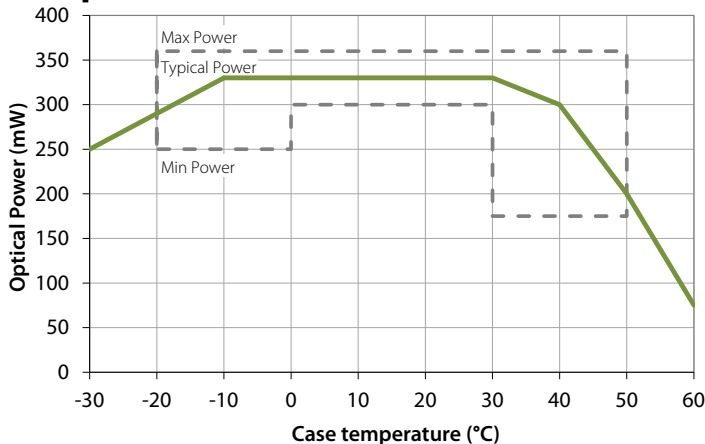
### Mechanical



### Pinout



### Temperature Performance



### Key specifications

<b>Power</b>	330 mW (nominal)
<b>Wavelength</b>	532 nm
<b>Operating temp</b>	-20 to +50 C (-4 to 122 F)
<b>Operating mode</b>	CW or pulsed
<b>Size</b>	33 × 22 × 19 mm
<b>Weight</b>	25 grams
<b>Turn-on/rise time</b>	Instantaneous output upon turn-on Full power < 1 second after turn-on
<b>Standby warm-up**</b>	0 seconds for case temperature 5 to 50 C 2 - 40 seconds for case temperature -20 to 5 C

### Optical beam

<b>Beam divergence</b>	8 mrad typical (1/e; integrated telescope optional)
<b>Beam diameter</b>	~ 0.2 mm at exit
<b>Safety</b>	IEC Class 3B / CDRH IIIb device (< 500 mW) Laser component for integration, not FDA-compliant
<b>Monitor PD</b>	Integrated precision pickoff and photodiode

### Package

<b>Housing</b>	Aluminum, environmentally sealed
<b>Mounting</b>	2 tapped 2-56 holes

### Electrical (Laser Module)

<b>Power consumption</b>	3.5W typ (>5 C); 6.0W typ (≤5 C)
<b>Inputs</b>	Laser diode: 1.7 V @ 1.8 A typ, 2.4 A max Heater: 3.9 V @ 0.8 A typical (only below 5 C)
<b>Outputs</b>	Monitor photodiode (MPD): 50 μA typical @ 300 mW Thermistor: 10kΩ (3480 K beta)
<b>Connector</b>	11-position Molex picoblade male

### Electrical (Driver)

<b>Power input</b>	3.0 to 6.5 volts, 0.8 A typical draw @ 6V
<b>Control inputs</b>	Fire (2 pins); Mode control (4 pins)
<b>Outputs</b>	Bi-color LED (3 pins) to indicate mode, laser firing, standby (heater on), battery low
<b>Battery life</b>	> 2 hours operating ON time (25 C) at 330 mW using 2 × CR-123A Li 3 V cells
<b>Connectors</b>	Molex picoblade (input and output)

### Other

<b>Storage temperature</b>	-35 to +65 C
<b>Ruggedness</b>	<ul style="list-style-type: none"> <li>▪ Full power over operating temp range</li> <li>▪ Shock: mechanical, thermal</li> <li>▪ Vibration: operating and storage</li> </ul>
<b>Lifetime</b>	30,000 h MTBF

v 4.1



**ALFALIGHT™**

1832 Wright Street · Madison, WI 53704 · USA  
608.240.4800 · alfa-NLOD-sales@alfalight.com · www.alfalight.com